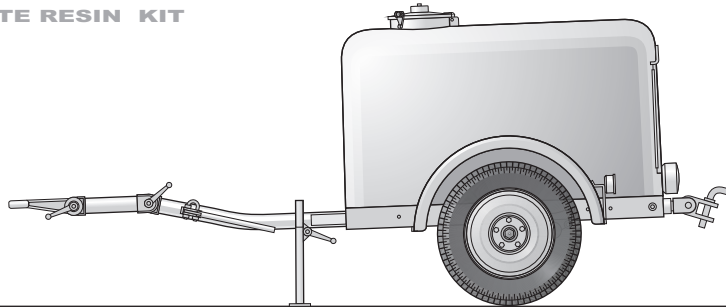


Wassertankanhänger auf Anhängerfahrgerüst A1

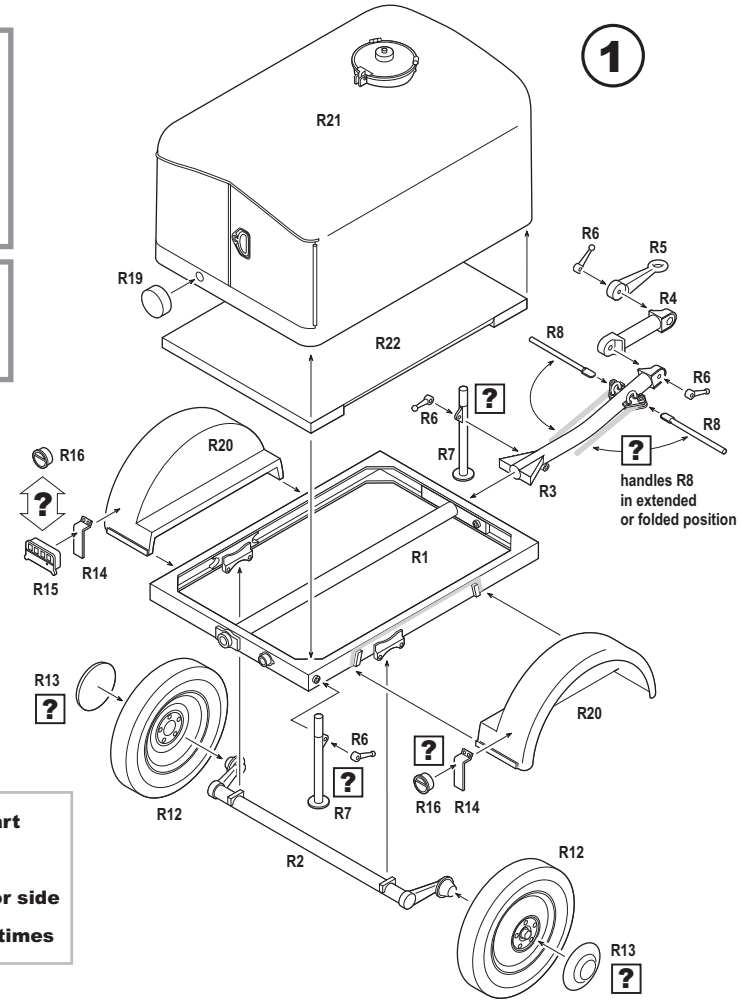
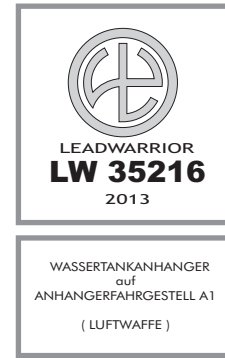
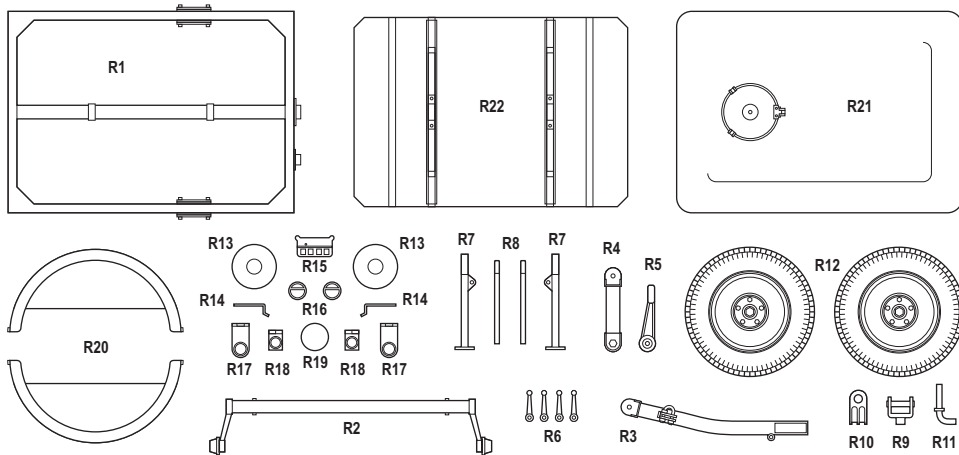
DRINKING WATER TANK TRAILER
LUFTWAFFE

1:35 COMPLETE RESIN KIT
30 RESIN PARTS



Anhängerfahrgerüst A 1 - the type A1 single-axle light trailer chassis - had been designed for Luftwaffe before the war. It had a weight of 140 kg, and payload of 610 kg (750 kg - for type A1B), and was to be towed by light motor vehicles, or even by men power. The construction was very simple, yet, the A1 was used as chassis for many superstructures and auxiliary trailers.

This kit presents the Wassertankanhänger auf Anhängerfahrgerüst A 1 – the 300 liters tank trailer on A1 chassis, used to supply drinking water in the Luftwaffe auxiliary troops.



- Cut / Remove part**
- Optional**
- Repeat on mirror side**
- Repeat several times**

